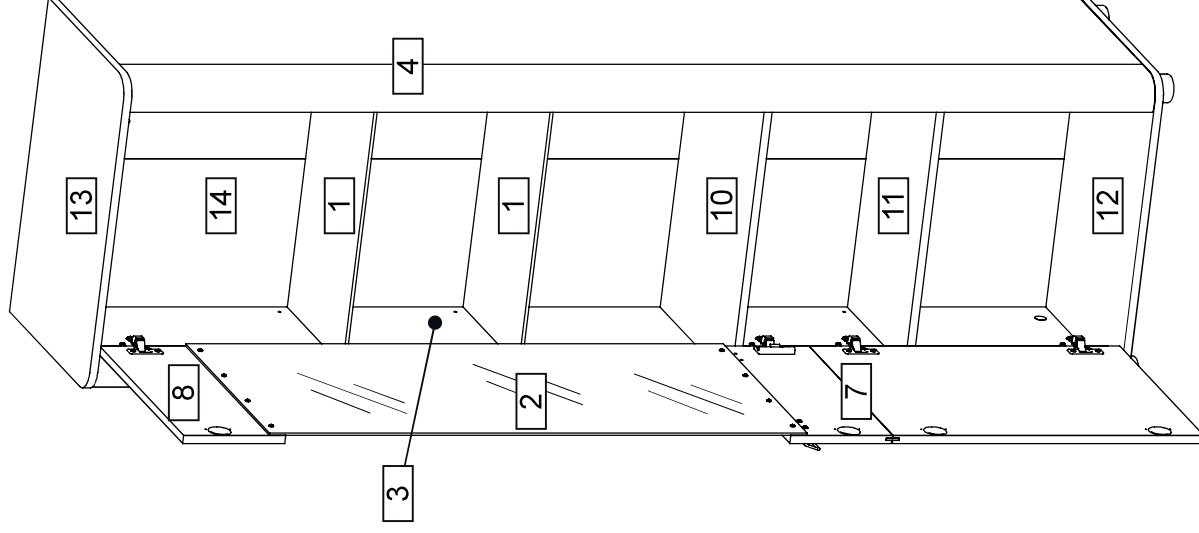
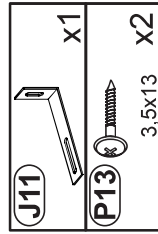
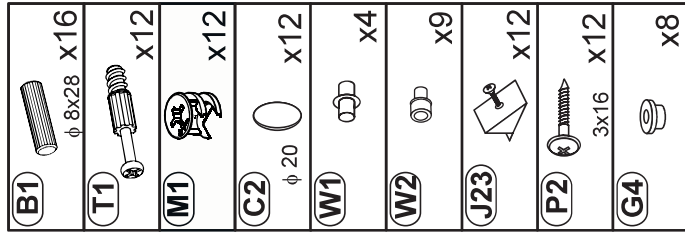
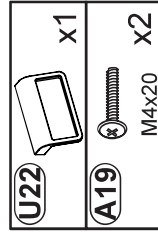
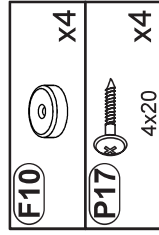
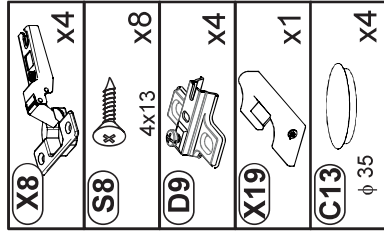
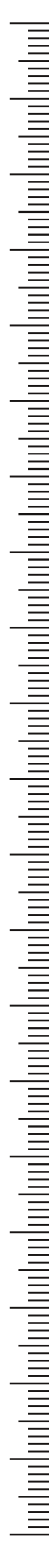


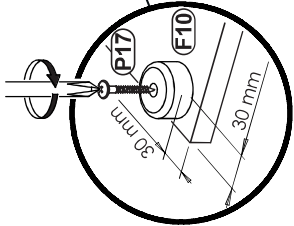
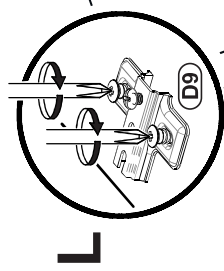
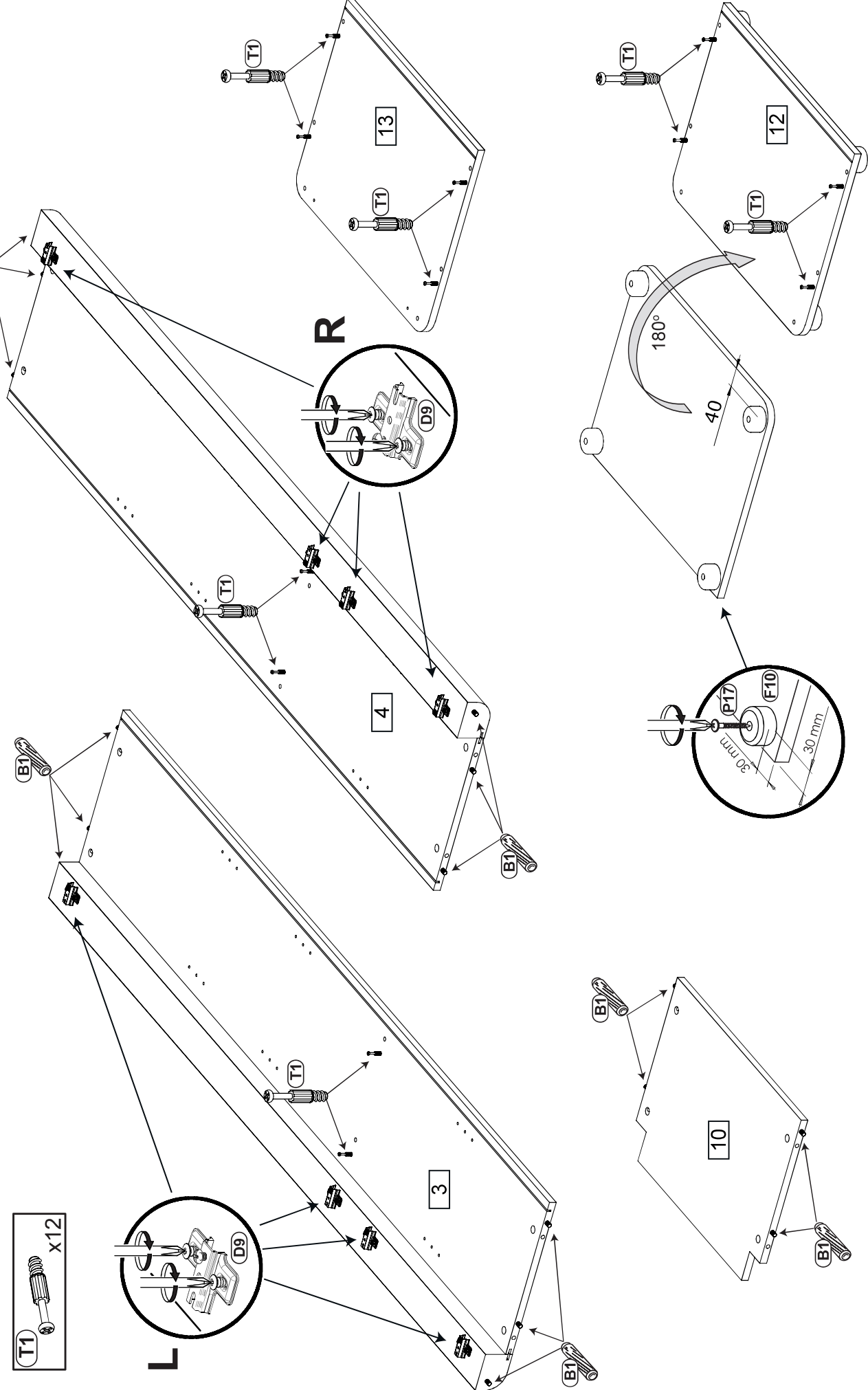
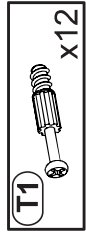
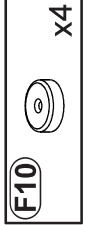
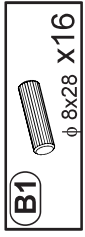
| Nr | Ausmaß | | St | Colli |
|----|--------|-----|----|-------|
| | | | | |
| 1 | 549 | 300 | 6 | 2 |
| 2 | 996 | 454 | 4 | 1 |
| 3 | 1896 | 418 | 60 | 1 |
| 4 | 1896 | 418 | 60 | 1 |
| 7 | 765 | 456 | 15 | 2 |
| 8 | 456 | 189 | 15 | 2 |
| 10 | 550 | 382 | 15 | 2 |
| 11 | 550 | 310 | 15 | 2 |
| 12 | 582 | 420 | 15 | 2 |
| 13 | 582 | 420 | 15 | 2 |
| 14 | 1910 | 282 | 2 | 2 |



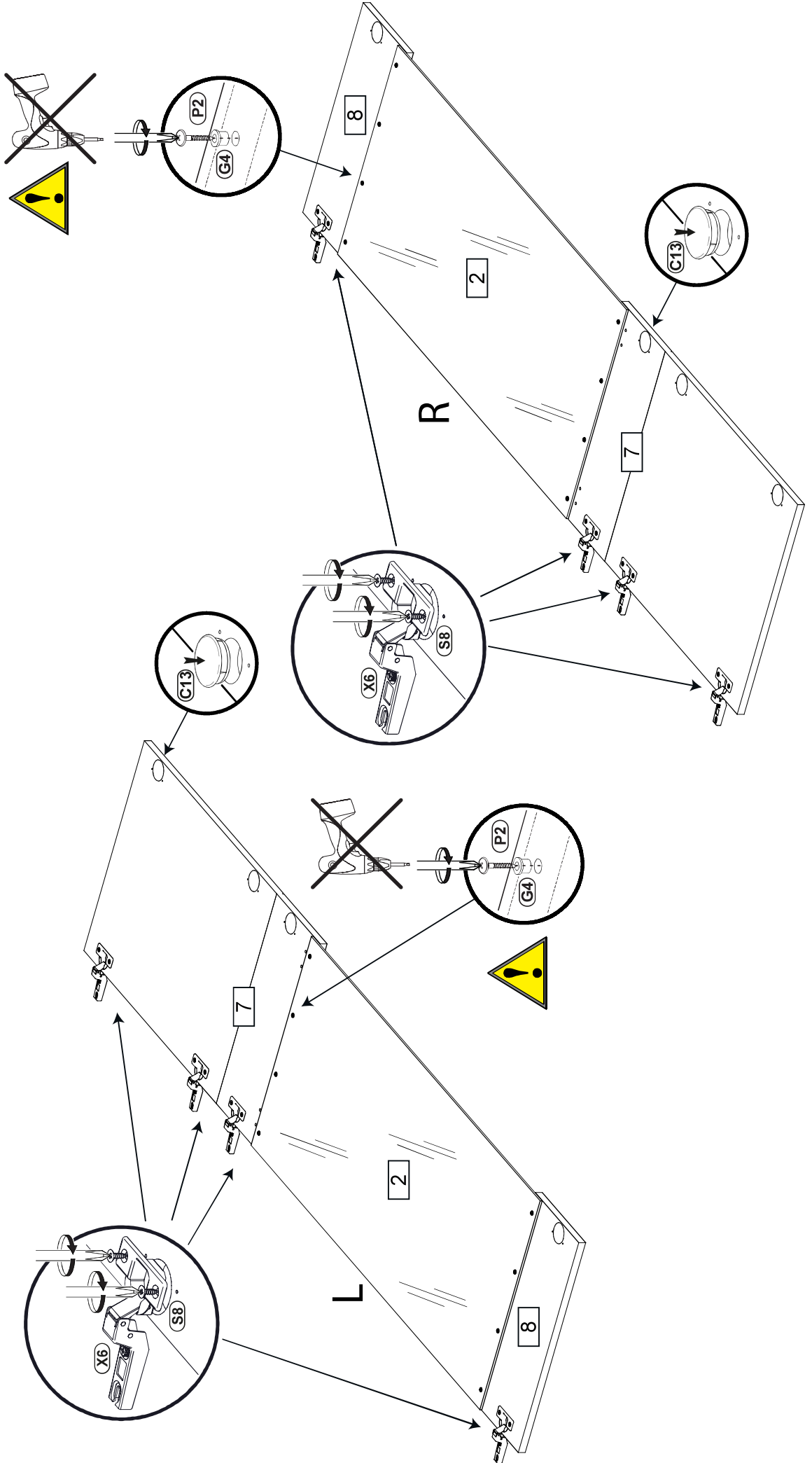
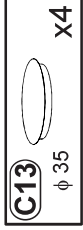
0 10 20 30 40 50 60 70 80 90 100 110 120 130 140 150 160 170 180 190 200



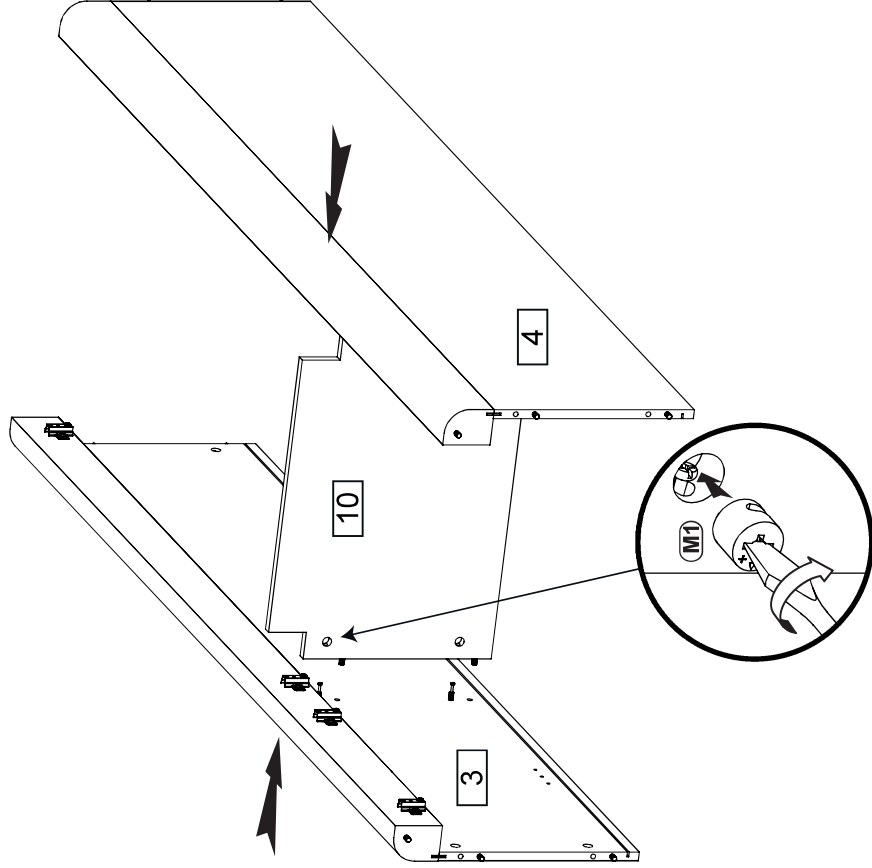
1



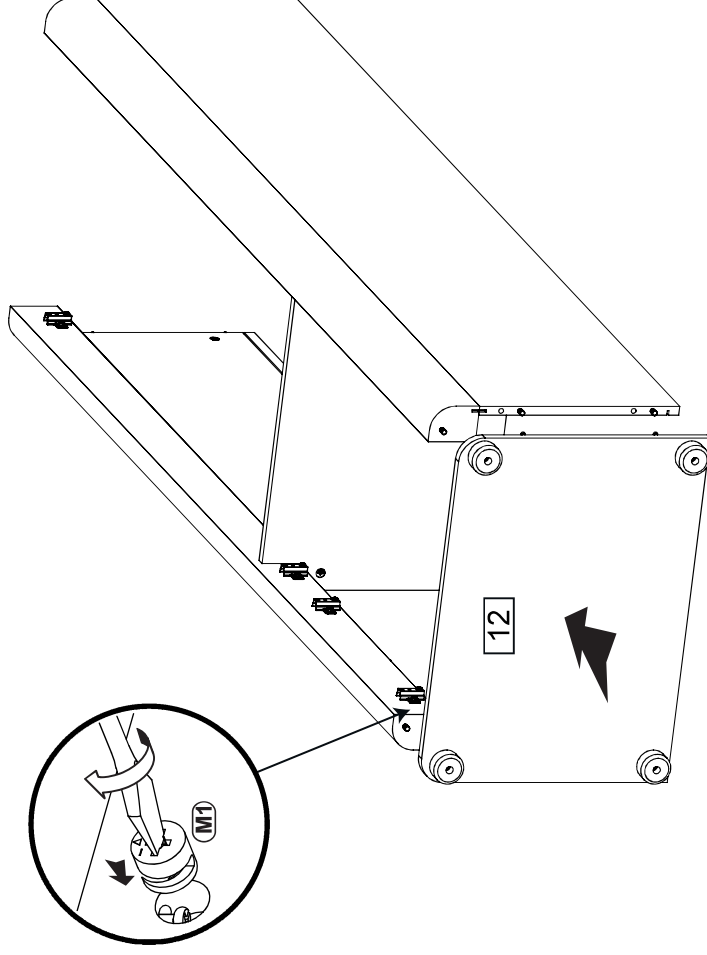
2



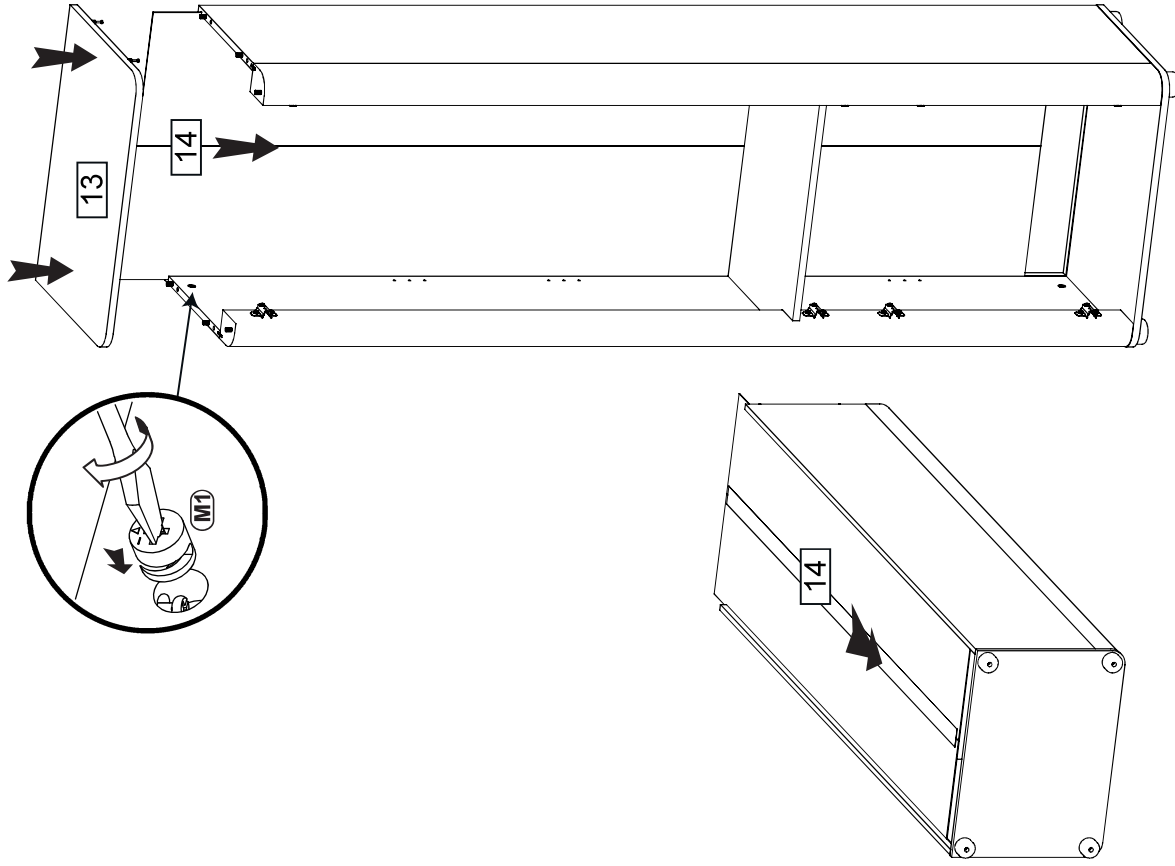
3



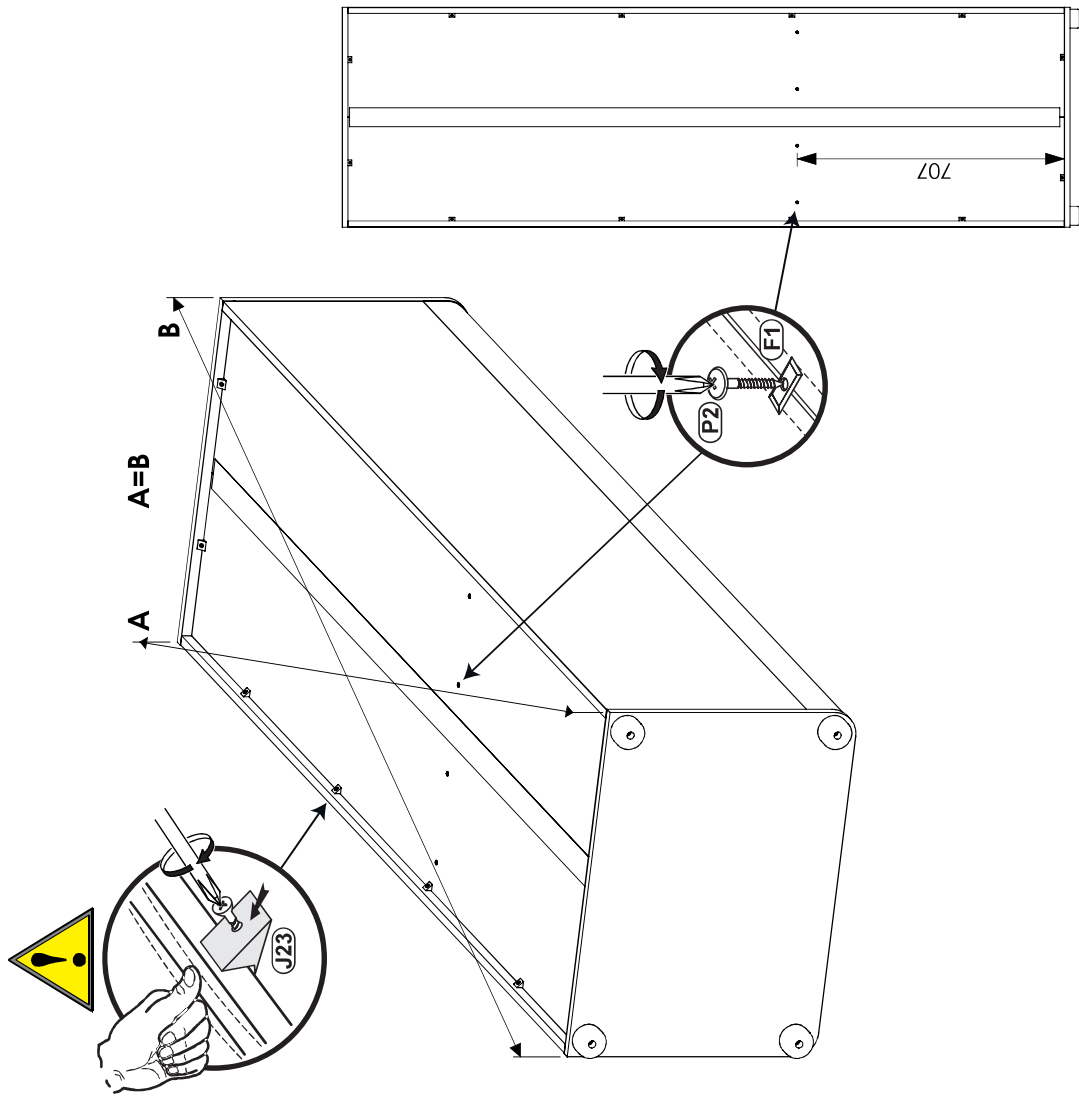
4



5




6



7

- C2** ϕ 20 x12
- W1** x4
- W2** x9
- U22** x1
- A19** M4x20 x2

- J11** x1
 - P13** 3.5x13 x2
- 

- X19** x1
- 